



We might have more information for this vehicle - please check the up to date version online

PORSCHE CAYENNE Coupe

Vehicle reference:

WP1ZZZ9YZLDA72959

Body type:

Estate

Gearbox type:

Automatic

Engine size:

2995 cm³

Hybrid vehicle:

Electric

Combustion engine power:

250 kW / 340 hp

Drive:

AWD

Quick Check



Damage

This vehicle has had a damage. Please check with the seller if it has been repaired in the meanwhile, or have it inspected by a mechanic before purchasing.



Import

Not a private import

Legend



No issues reported or indicated



Valuable Information



Requires attention



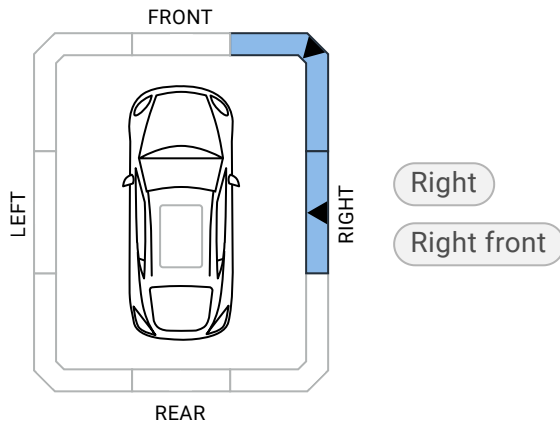
Data unavailable

Damage Overview

10/2020

Affected area (2):

Location reference, does not indicate the extent of the damage.



Reported in
Italy

Damage type/cause
Vandalism

Damage severity:



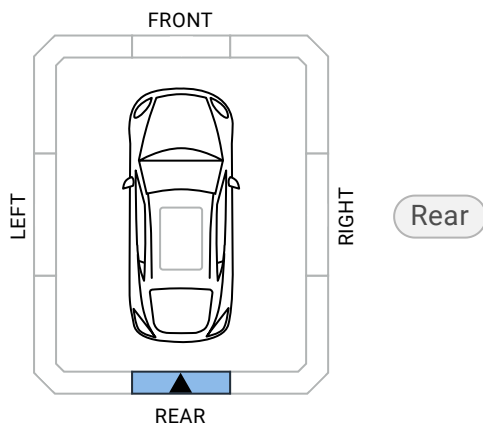
Minor

Cosmetic damage only, including small dents or scratches that may need touch-ups. Does not affect vehicle operation or safety.

09/2022

Affected area (1):

Location reference, does not indicate the extent of the damage.



Reported in
Italy

Damage type/cause
Not available

Damage severity:



Minor

Cosmetic damage only, including small dents or scratches that may need touch-ups. Does not affect vehicle operation or safety.

Damage Glossary

Damage

Damage refers to any harm or impairment to a vehicle's physical components, affecting its appearance, functionality, or safety. Damage can range from cosmetic issues like scratches and dents to severe structural problems. It can be caused by collisions, weather events, vandalism, or other incidents.

CARFAX tips

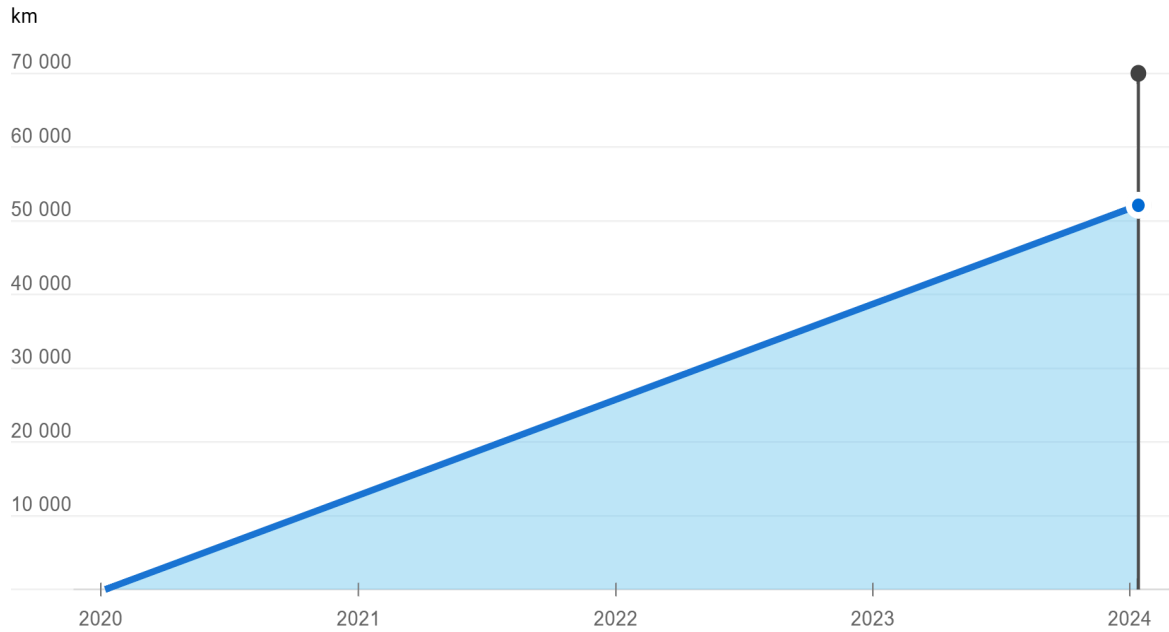


Keep in mind: while our data shows no further damage, additional events may have occurred. CARFAX only reflects information that's been reported to us.

It's still important to take a close look at the vehicle during your test-drive. Small details can sometimes hint at past repairs. Keep an eye out for paint inconsistencies or uneven panels.

Mileage Check

Date | Mileage
2024-01-13 | 52,106 km



✓ **No issues indicated:** The reported odometer readings have a logical progression. There are no indications of manipulation. Unfortunately, we cannot guarantee this, so we always recommend critically questioning the odometer readings, e.g. on signs of wear, the number of oil changes, or the average kilometers driven per year.

Owners BETA



Owner(s) in Italy

Purchase year: **2020**

Damage reported on: **09/2022 , 10/2020**

History information

Date	Mileage	Event
2020-01-07		Registered in Italy
10/2020		Damage reported in Italy caused by vandalism
09/2022		Damage reported in Italy
2024-01-13	52,106 km	Inspected in Italy Inspection passed Inspection valid until 2026-01-13

For this Vehicle History Report, we searched over 40 billion records from more than 30 European countries, the USA, and Canada.

Technical details

Engine and performance

Hybrid vehicle

Electric

Combustion engine power

250 kW / 340 hp

Electric engine power

Not available

Total system power

Not available

Environment and consumption

CO2 emissions in mixed driving

58 g/km 

Fuel consumption in mixed driving

2.5 l/100km

EU emission standard

Euro 6

Weight

Curb weight

2,435 kg

Max payload

620 kg

Gross vehicle weight

3,055 kg

Dimensions

Length

4,931 mm

Width

1,983 mm

Height

1,676 mm

Wheelbase

2,895 mm

Other information

European vehicle category

M1

Number of doors

5

Number of seats

4

CARFAX Glossary

CO2 Emissions

CO2 is an abbreviation for carbon dioxide, a gas that is emitted from a vehicle as a result of fuel combustion. The quantity of carbon dioxide released in the exhaust gases is a good measure of the amount of fuel a car is burning. That quantity is measured by the number of grams of CO2 released into the air for every kilometer that is driven.

Number of records

A CARFAX record refers to a specific incidence and date in the history of the vehicle. Please note that the history of younger vehicles tends to have fewer entries. CARFAX continuously works on getting more data sources and historical information in order to enrich the report

Quick Check

A snapshot of the information CARFAX has abstracted from our extensive database to determine whether a vehicle has been reported stolen, reported scrapped, publicly imported or ever used for non-personal purposes. This summary is based upon all the information supplied to CARFAX from various sources. Additional information about this vehicle, including these potential problems, may exist and may not have been reported to CARFAX.

Severity scale - Minor

Generally, minor damage is cosmetic (including dents or scratches), may only require reconditioning, and typically does not compromise a vehicle's operation and/or safety.

Severity scale - Moderate

Moderate damage may affect multiple components of the vehicle and may impair the vehicle's operation and/or safety.

Severity scale - Severe

Severe damage usually affects multiple components of the vehicle and is likely to compromise the vehicle's operation and/or safety.

Vehicle reference

User-provided value to identify the vehicle during the CARFAX Vehicle History Report retrieval process and to confirm vehicle identity on the report itself.

How to use this report



This history is based on data reported to us and available upon request. Gaps and errors cannot be excluded. Use CARFAX in combination with a test drive and inspection by experts. We process personal data only in accordance with applicable regulations. Conclusions on owners are not possible at any time. Read more in our [Terms and conditions](#).